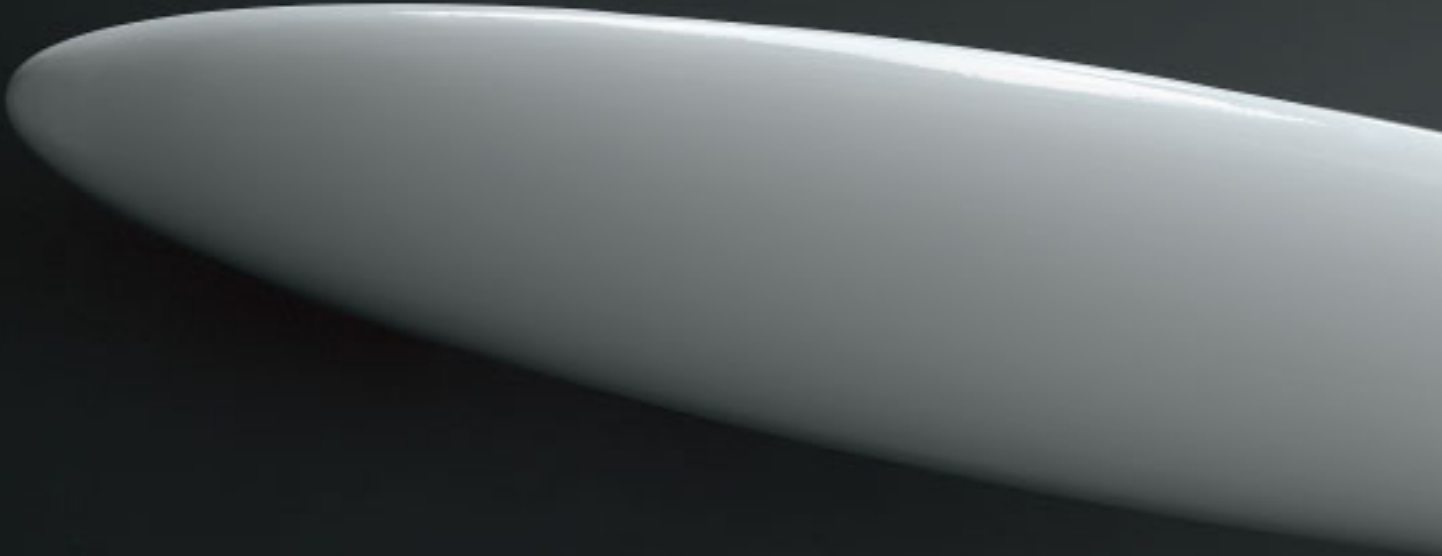
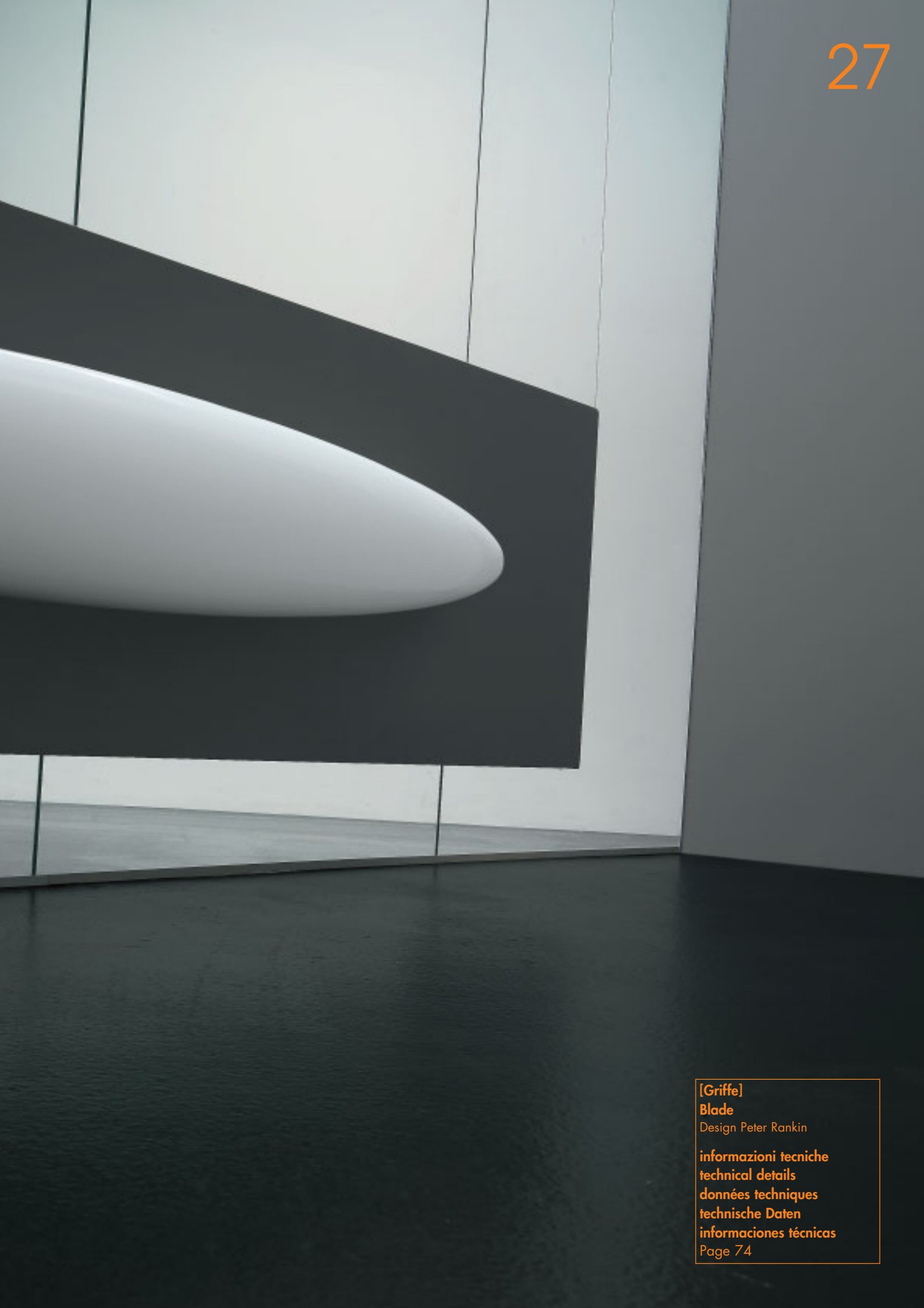


Blade





[Griffe]

Blade

Design Peter Rankin

informazioni tecniche

technical details

données techniques

technische Daten

informaciones técnicas

Page 74

Blade Bath



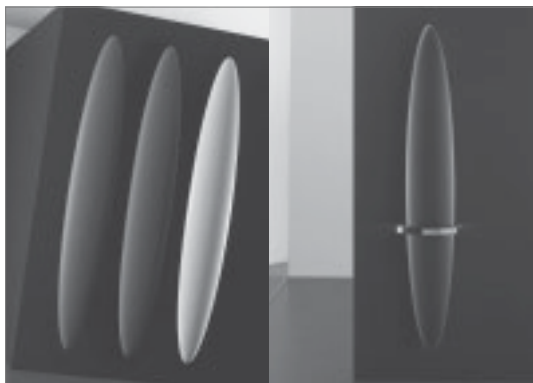


[Griffe]

Blade Bath

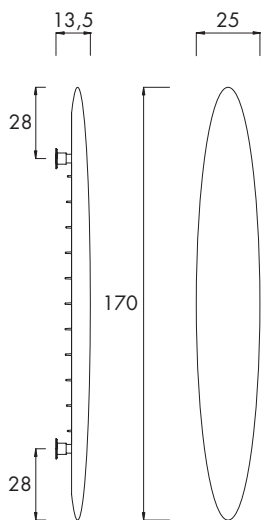
Design Peter Rankin

informazioni tecniche
technical details
données techniques
technische Daten
informaciones técnicas
Page 74

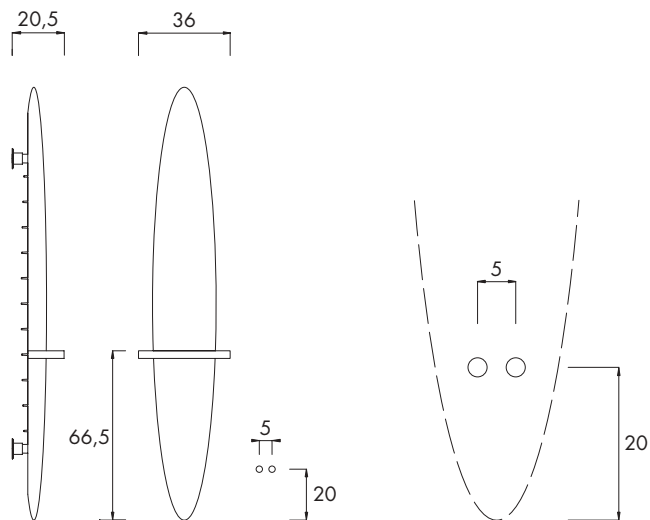


BLADE design Peter Rankin

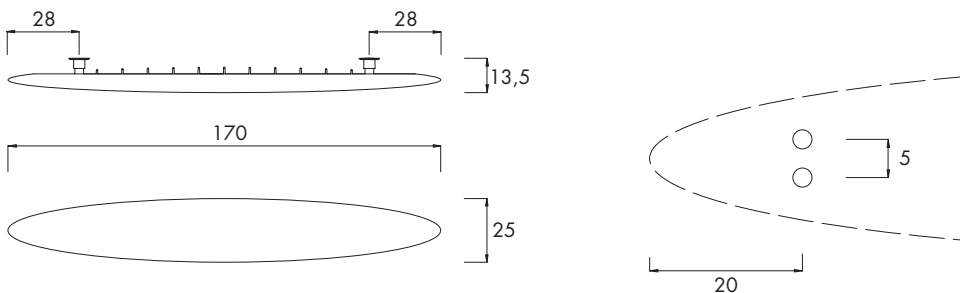
BLOOV01



BLOOVM01



BLOOO01



BLADE

A* cm	in	B* cm	in	I* cm	in	art*	BTU Δt 50°	watt Δt 50°
verticale / vertical / verticale / vertikal / vertical								
170.0	66.9	25.0	9.8	5.0	2.0	BLOOV01B	1 372	402
orizzontale / horizontal / horizontale / horizontal / horizontal								
25.0	9.8	170	66.9	5.0	2.0	BLOOO01B	1 372	402

BLADE BATH

A* cm	in	B* cm	in	I* cm	in	art*	BTU Δt 50°	watt Δt 50°
25.0	9.8	170	66.9	5.0	2.0	BLOOVM01B	1 372	402

A* = altezza / height / hauteur / Höhe / alto B* = larghezza / width / longueur / Breite / ancho art* = articolo / model / modèle / Artikel / artículo P* = pagina / page / page / Seite / página I* = interasse / pipe centres / distance entre depart et retour / Achsabstand / distancia entre las conexiones



Ulteriori dettagli
Further details
Ulérieures détails
Weitere Einzelheiten
Otros detalles

P* 148

Colori/ colours / couleurs / Farbe / colores

- [BIAN] B standard
T + 10%
S + 20%
- [RAL] S + 20%
RAL non inclusi in tabella
special Ral colours
couleurs Ral spéciales
RAL Farbe nicht in der Tabelle inbegriffen
colores RAL especiales

Kcal = Watt x 0,860
BTU = Watt x 3,413

Watt Δt 60° = Watt Δt 50° x 1,264
Watt Δt 40° = Watt Δt 50° x 0,750
Watt Δt 30° = Watt Δt 50° x 0,518
Watt Δt 20° = Watt Δt 50° x 0,307